



# Pressure gauges



A Division of Watts Water Technologies Inc.



**BOURDON TUBE PRESSURE GAUGE**

FOR GENERAL INDUSTRIAL APPLICATIONS. SUITABLE FOR GASEOUS AND LIQUID MEDIA WHICH ARE NOT HIGHLY VISCOUS, DO NOT CRYSTALLIZE AND ARE NOT AGGRESSIVE TO COPPER ALLOYS



**M3A-40**

**EX F+R 150 DN40**

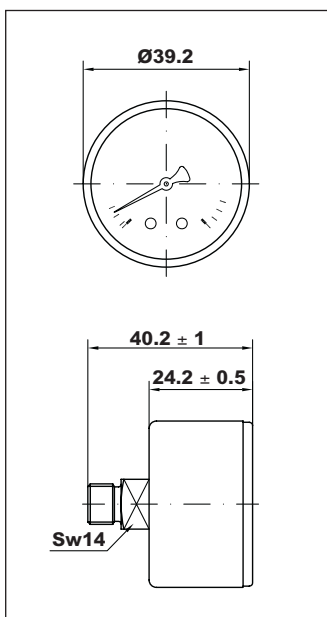
**Dry Steel Case DN40 Centre Back Entry**

**Materials**

- Case: Black steel, powder coated
- Window: Clear plastic
- Dial: White plastic
- Pointer: Black plastic
- Pressure connection: Cu-alloy, 12 mm flats
- Pressure element: Bourdon tube Cu-alloy soft soldered  $\leq 60$  bar C-type,  $> 60$  bar helical type
- Movement: Cu-alloy

**Technical Specifications**

- Design: EN 837-1
- Working pressure: Steady: 75 % of full scale value  
Fluctuating: 60 % of full scale value  
Short time: full scale value
- Operating temperature: Ambient: -20 ... +60 °C  
Medium: +60 °C maximum  
Storage: -20 ... +60 °C
- Temperature effect: Deviation from reference temperature (+20°C):  $\pm 0,04\%/1K$  of the span
- Accuracy class: cl. 2.5, cl. 1.6 on request
- Degree of protection: IP 31 per EN 60 529 / IEC 529
- Individual Weight: 0.069 kg



Type	Part No.	Pressure Range	Connection	Packaging
M3A-40		-1/0 bar	G1/8B	240/240
M3A-40		0-1 bar	G1/8B	240/240
M3A-40		0-1.6 bar	G1/8B	240/240
M3A-40		0-2.5 bar	G1/8B	240/240
M3A-40	PB150421	0-4 bar	G1/8B	240/240
M3A-40		0-6 bar	G1/8B	240/240
M3A-40		0-10 bar	G1/8B	240/240
M3A-40		0-16 bar	G1/8B	240/240
M3A-40		0-25 bar	G1/8B	240/240
M3A-40		0-40 bar	G1/8B	240/240
M3A-40		0-60 bar	G1/8B	240/240
M3A-40		0-100 bar	G1/8B	240/240
M3A-40		0-160 bar	G1/8B	240/240
M3A-40		0-250 bar	G1/8B	240/240
M3A-40		0-315 bar	G1/8B	240/240
M3A-40		0-400 bar	G1/8B	240/240

**Options : see page 66**

**BOURDON TUBE PRESSURE GAUGE**



FOR GENERAL INDUSTRIAL APPLICATIONS, INDOOR SERVICE. SUITABLE FOR GASEOUS AND LIQUID MEDIA WHICH ARE NOT HIGHLY VISCOUS, DO NOT CRYSTALLIZE AND ARE NOT AGGRESSIVE TO COPPER ALLOYS

62

**PRESSURE GAUGES**



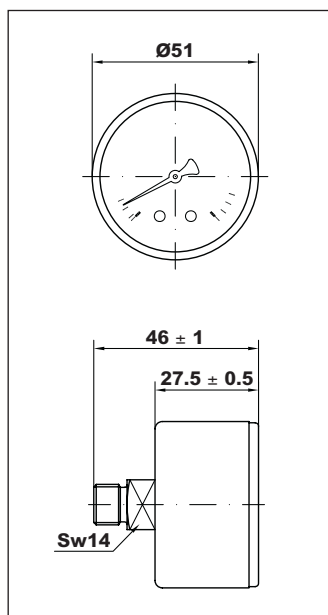
**M3A-50**

**EX F+R 150 DN50**

**Dry Steel Case DN50 Centre Back Entry**

**Materials**

Case: Black steel, powder coated  
 Window: Clear plastic  
 Dial: White plastic  
 Pointer: Black plastic  
 Pressure connection: Cu-alloy, 14 mm flats  
 Pressure element: Bourdon tube Cu-alloy soft soldered ≤ 60 bar C-type, > 60 bar helical type  
 Movement: Cu-alloy



**Technical Specifications**

Design: EN 837-1  
 Working pressure: Steady: 75 % of full scale value  
 Fluctuating: 60 % of full scale value  
 Short time: full scale value  
 Operating temperature: Ambient -20 ... +60 °C  
 Medium: +60 °C maximum  
 Storage: -20 ... +60 °C  
 Temperature effect: Deviation from reference temperature (+20°C): ±0,04%/1K of the span  
 Accuracy class: cl. 2.5, cl. 1.6 on request  
 Degree of protection: IP 31 per EN 60 529 / IEC 529  
 Individual Weight: 0.116 kg

Type	Part No.	Pressure Range	Connection	Packaging
M3A-50		-1/0 bar	G1/4B	100/100
M3A-50		0-1 bar	G1/4B	100/100
M3A-50		0-1.6 bar	G1/4B	100/100
M3A-50		0-2.5 bar	G1/4B	100/100
M3A-50	PB2504BB00	0-4 bar	G1/4B	100/100
M3A-50		0-6 bar	G1/4B	100/100
M3A-50		0-10 bar	G1/4B	100/100
M3A-50		0-16 bar	G1/4B	100/100
M3A-50		0-25 bar	G1/4B	100/100
M3A-50		0-40 bar	G1/4B	100/100
M3A-50		0-60 bar	G1/4B	100/100
M3A-50		0-100 bar	G1/4B	100/100
M3A-50		0-160 bar	G1/4B	100/100
M3A-50		0-250 bar	G1/4B	100/100
M3A-50		0-315 bar	G1/4B	100/100
M3A-50		0-400 bar	G1/4B	100/100

**Options : see page 66**



## BOURDON TUBE PRESSURE GAUGE

FOR PANEL MOUNTING IN GENERAL INDUSTRIAL APPLICATIONS. SUITABLE FOR GASEOUS AND LIQUID MEDIA WHICH ARE NOT HIGHLY VISCOUS, DO NOT CRYSTALLIZE AND ARE NOT AGGRESSIVE TO COPPER ALLOYS



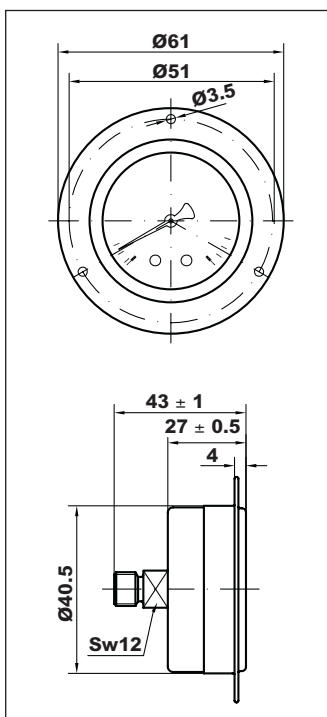
### M3B-40

**EX F+R 152 DN40**

**Dry Steel Case DN40 Centre Back Entry with 3-Hole Panel Mounting Flange**

#### Materials

Case:	Black steel, powder coated
3-hole flange:	Chrome-plated steel
Window:	Clear plastic
Dial:	White plastic
Pointer:	Black plastic
Pressure connection:	Cu-alloy, 12 mm flats
Pressure element:	Bourdon tube Cu-alloy soft soldered C-type
Movement:	Cu-alloy



#### Technical Specifications

Design:	EN 837-1
Working pressure:	Steady: 75 % of full scale value
	Fluctuating: 60 % of full scale value
	Short time: full scale value
Operating temperature:	Ambient: -20 ... +60 °C
	Medium: +60 °C maximum
	Storage: -20 ... +60 °C
Temperature effect:	Deviation from reference temperature (+20°C): ±0,04%/1K of the span
Accuracy class:	cl. 2.5, cl. 1.6 on request
Degree of protection:	IP 43 per EN 60 529 / IEC 529
Individual Weight:	0.086 kg

Type	Part No.	Pressure Range	Connection	Packaging
M3B-40	PC1401EI00	-1/0 bar/inHg	G1/8B	100/100
M3B-40		0-1 bar/psi	G1/8B	100/100
M3B-40		0-1.6 bar/psi	G1/8B	100/100
M3B-40	PC1503DI00	0-2.5 bar/psi	G1/8B	100/100
M3B-40	PC1504DI00	0-4 bar/psi	G1/8B	100/100
M3B-40	PC1506DI00	0-6 bar/psi	G1/8B	100/100
M3B-40	PC1510DI00	0-10 bar/psi	G1/8B	100/100
M3B-40	PC1516DI00	0-16 bar/psi	G1/8B	100/100
M3B-40		0-25 bar/psi	G1/8B	100/100
M3B-40		0-40 bar/psi	G1/8B	100/100

**Options : see page 70**

**BOURDON TUBE PRESSURE GAUGE**



FOR PANEL MOUNTING IN GENERAL INDUSTRIAL APPLICATIONS. SUITABLE FOR GASEOUS AND LIQUID MEDIA WHICH ARE NOT HIGHLY VISCOUS, DO NOT CRYSTALLIZE AND ARE NOT AGGRESSIVE TO COPPER ALLOYS

68

**PRESSURE GAUGES**



**M3B-50**

**EX F+R 152 DN50**

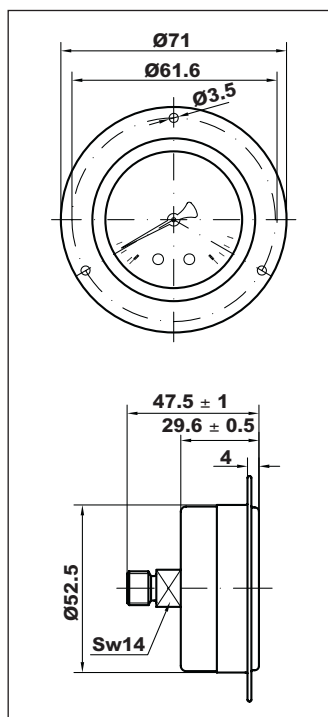
**Dry Steel Case DN50 Centre Back Entry with 3-Hole Panel Mounting Flange**

**Materials**

Case:	Black steel, powder coated
3-hole flange:	Chrome-plated steel
Window:	Clear plastic
Dial:	White plastic
Pointer:	Black plastic
Pressure connection:	Cu-alloy, 14 mm flats
Pressure element:	Bourdon tube Cu-alloy soft soldered C-type
Movement:	Cu-alloy

**Technical Specifications**

Design:	EN 837-1
Working pressure:	Steady: 75 % of full scale value
	Fluctuating: 60 % of full scale value
	Short time: full scale value
Operating temperature:	Ambient: -20 ... +60 °C
	Medium: +60 °C maximum
	Storage: -20 ... +60 °C
Temperature effect:	Deviation from reference temperature (+20°C):
	±0,04%/1K of the span
Accuracy class:	cl. 2.5, cl. 1.6 on request
Degree of protection:	IP 43 per EN 60 529 / IEC 529
Individual Weight:	0.126 kg



Type	Part No.	Pressure Range	Connection	Packaging
M3B-50		-1/0 bar/inHg	G1/4B	100/100
M3B-50		0-1 bar/psi	G1/4B	100/100
M3B-50		0-1.6 bar/psi	G1/4B	100/100
M3B-50		0-2.5 bar/psi	G1/4B	100/100
M3B-50		0-4 bar/psi	G1/4B	100/100
M3B-50		0-6 bar/psi	G1/4B	100/100
M3B-50		0-10 bar/psi	G1/4B	100/100
M3B-50		0-16 bar/psi	G1/4B	100/100
M3B-50		0-25 bar/psi	G1/4B	100/100
M3B-50		0-40 bar/psi	G1/4B	100/100

**Options : see page 70**



## BOURDON TUBE PRESSURE GAUGE

FOR PANEL MOUNTING IN GENERAL INDUSTRIAL APPLICATIONS. SUITABLE FOR GASEOUS AND LIQUID MEDIA WHICH ARE NOT HIGHLY VISCOUS, DO NOT CRYSTALLIZE AND ARE NOT AGGRESSIVE TO COPPER ALLOYS



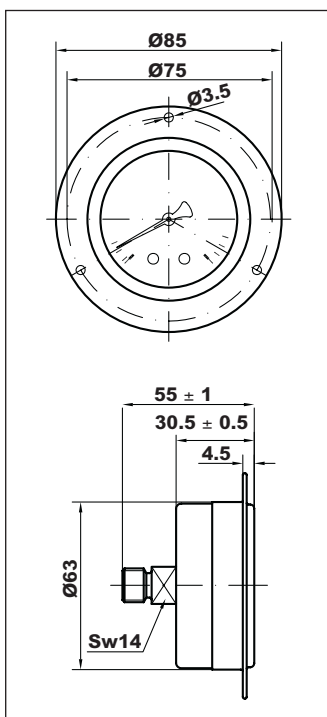
### M3B-63

EX F+R 152 DN63

**Dry Steel Case DN63 Centre Back Entry with 3-Hole Panel Mounting Flange**

#### Materials

Case:	Black steel, powder coated
3-hole flange:	Chrome-plated steel
Window:	Clear plastic
Dial:	White plastic
Pointer:	Black plastic
Pressure connection:	Cu-alloy, 14 mm flats
Pressure element:	Bourdon tube Cu-alloy soft soldered C-type
Movement:	Cu-alloy



#### Technical Specifications

Design:	EN 837-1
Working pressure:	Steady: 75 % of full scale value
	Fluctuating: 60 % of full scale value
	Short time: full scale value
Operating temperature:	Ambient: -20 ... +60 °C
	Medium: +60 °C maximum
	Storage: -20 ... +60 °C
Temperature effect:	Deviation from reference temperature (+20°C): ±0,04%/1K of the span
Accuracy class:	cl. 2.5, cl. 1.6 on request
Degree of protection:	IP 43 per EN 60 529 / IEC 529
Individual Weight:	0.126 kg

Type	Part No.	Pressure Range	Connection	Packaging
M3B-63	PC3401EJ00	-1/0 bar/inHg	G1/4B	1/50
M3B-63		0-1 bar/psi	G1/4B	1/50
M3B-63		0-1.6 bar/psi	G1/4B	1/50
M3B-63	PC3503DJ00	0-2.5 bar/psi	G1/4B	1/50
M3B-63	PC3504DJ00	0-4 bar/psi	G1/4B	1/50
M3B-63	PC3506DJ00	0-6 bar/psi	G1/4B	1/50
M3B-63	PC3510DJ00	0-10 bar/psi	G1/4B	1/50
M3B-63	PC3516DJ00	0-16 bar/psi	G1/4B	1/50
M3B-63	PC3525DB00	0-25 bar/psi	G1/4B	1/50
M3B-63		0-40 bar/psi	G1/4B	1/50

Options : see page 70





## BOURDON TUBE PRESSURE GAUGE

FOR PANEL MOUNTING IN GENERAL INDUSTRIAL APPLICATIONS. SUITABLE FOR GASEOUS AND LIQUID MEDIA WHICH ARE NOT HIGHLY VISCOUS, DO NOT CRYSTALLIZE AND ARE NOT AGGRESSIVE TO COPPER ALLOYS



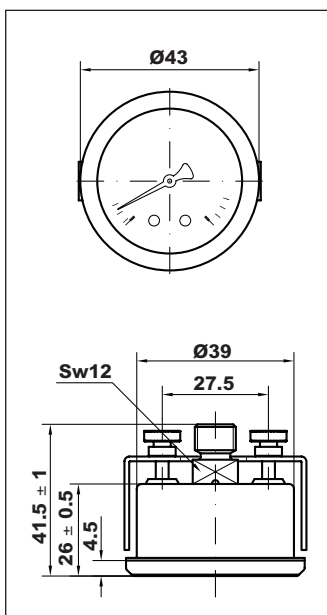
### M3F-40

EX F+R 152 DN40

**Dry Steel Case DN40 Centre Back Entry with Panel Mounting Brackets**

#### Materials

Case and brackets:	Zinc-plated steel
Triangular ring:	Chrome-plated steel
Window:	Clear plastic
Dial:	White plastic
Pointer:	Black plastic
Pressure connection:	Cu-alloy, 12 mm flats
Pressure element:	Bourdon tube Cu-alloy soft soldered C-type
Movement:	Cu-alloy



#### Technical Specifications

Design:	EN 837-1
Working pressure:	Steady: 75 % of full scale value
	Fluctuating: 60 % of full scale value
	Short time: full scale value
Operating temperature:	Ambient: -20 ... +60 °C
	Medium: +60 °C maximum
	Storage: -20 ... +60 °C
Temperature effect:	Deviation from reference temperature (+20°C): ±0,04%/1K of the span
Accuracy class:	cl. 2.5, cl. 1.6 on request
Degree of protection:	IP 43 per EN 60 529 / IEC 529
Individual Weight:	0.094 kg

Type	Part No.	Pressure Range	Connection	Packaging
M3F-40	PD1401E100	-1/0 bar/inHg	G1/8B	1/50
M3F-40	PD1401DI01	0-1 bar/psi	G1/8B	1/50
M3F-40	PD1402DI00	0-1.6 bar/psi	G1/8B	1/50
M3F-40	PD1503DI00	0-2.5 bar/psi	G1/8B	1/50
M3F-40	PD1504DI00	0-4 bar/psi	G1/8B	1/50
M3F-40	PD1506DI00	0-6 bar/psi	G1/8B	1/50
M3F-40	PD1510DI00	0-10 bar/psi	G1/8B	1/50
M3F-40	PD1516DI00	0-16 bar/psi	G1/8B	1/50
M3F-40		0-25 bar/psi	G1/8B	1/50
M3F-40		0-40 bar/psi	G1/8B	1/50

Options : see page 76